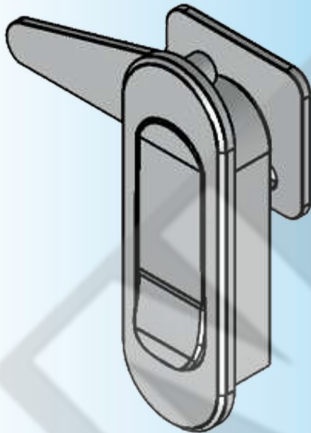


For Product Step File or 3D Model Send a Request Mail To info@nrack.com

Photo View

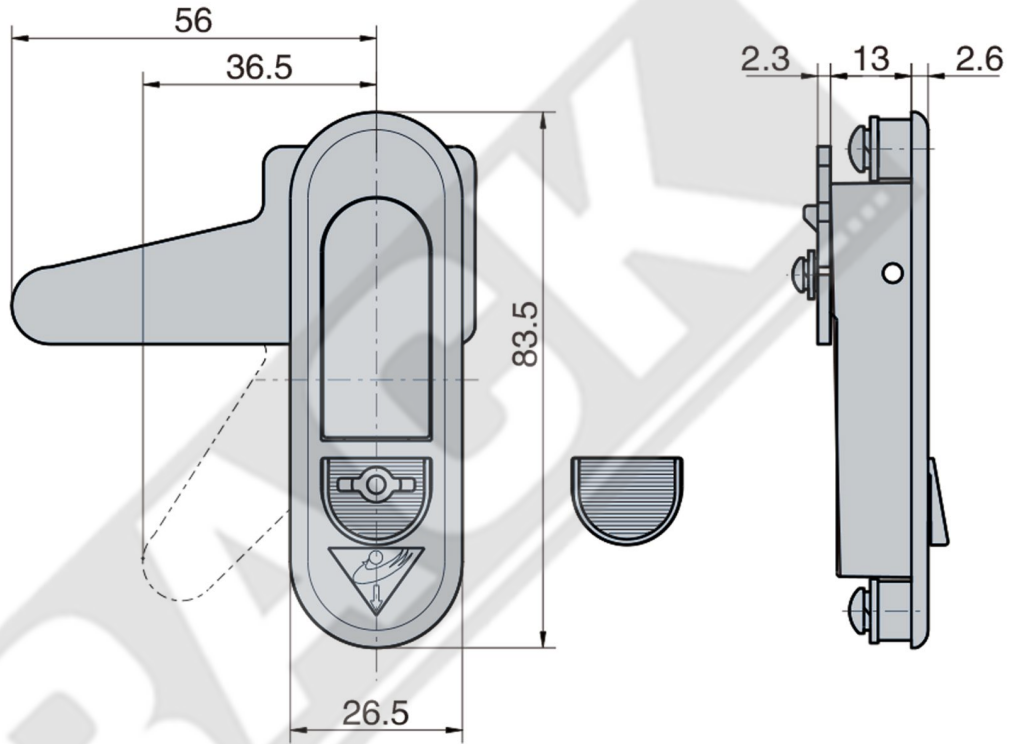


3D Rendered View



MS 610-3-2

- Material: zinc alloy for the housing,
- lock back ,steel cam assemble ing plate.
- Finish: gray chrome plating,
- Fuction : the cam turns 90~ to unlock when open the handle up
- Panel thickness: 1~3mm
- Remark: □8 × 8 cut out.



■ Cut Out

